

GS-P5537-W

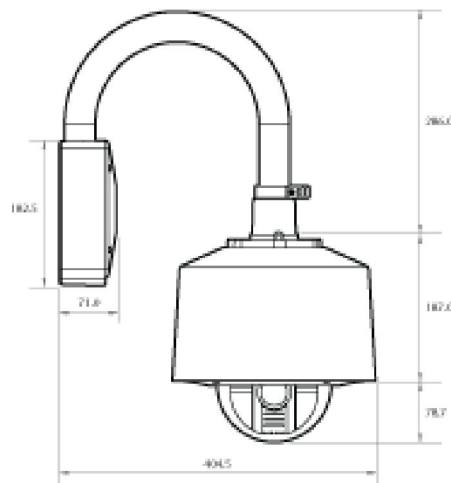
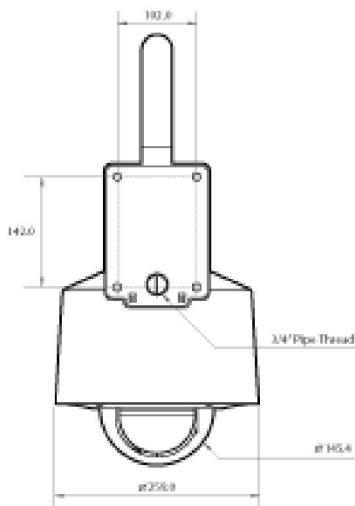
Design



Key Features

- 37x Optical Zoom
- 550 TVL, Min.Illumination 0.06Lux
- WDR Backlight Compensation
- Built-in Housing & IP66
- 127 Presets, 4 Pattern, 8 Groups

Dimensions



Technical Specifications

MODEL	GS-P5537-W
TV System	PAL
Effective Pixels	752 (H) x 582 (V)
Shutter Speed	1/50 to 1/120,000sec.
Image Sensor	1/4" Double Density Interline Transfer CCD
Zoom	x37 Optical Zoom & x12 Digital Zoom
Resolution	Color: 550 TV Lines / B/W: 680 TV Lines
Focal Length	F 1.6(W) ~ 3.9°(T), f=3.5~ 129.5mm
Angle of View	H: 55.5°(W)~1.59°(T) / 42.5°(W)~1.19°(T)
S/N Ratio	More than 50dB (AGC off)
Min.Illumination	0.7LUX /F1.6 (Color), 0.06LUX /F1.6 (B/W)
Day/Night	Auto / Day / Night (IR Cut Filter)
WDR/BLC	WDR / BLC / HLC / Off
Video Out	CVBS: 1.0 V-p
Pan/Tilt Range	Pan: 360°(Endless) Tilt: 0~ 180°(Auto-Flip On), 0~ 90°(Auto-Flip Off)
Pan/Tilt Speed	Tilt: 0~ 180°(Auto-Flip On), 0~ 90°(Auto-Flip Off) Manual: 0.05~ 200°/sec (Zoom Proportional) Scan: 1~ 180°/sec
Preset	127 Presets with Labels / Independent Camera Setup
Communication	RS485
Protocol	Auto, Pelco-D, Pelco-P, Samsung, Panasonic, Kalatel, AD(American Dynamics) Selectable
OSD	Menu / PTZ Information etc., Support 7 Languages
Power Supply	AC24V, 24W (Heater Off) / 57W (Heater On)
Operating Temp	-45°C ~ 50°C (-49°F ~ 122°F)
Approval	FCC, CE, IP 66, RoHS
Dimension	260 x 552 x 405 mm
Weight	about 5.8 Kg

Design and specifications are subject to change without notice.