

JVC®

The Perfect Experience / —
/

1/3" CCD COLOUR VIDEO CAMERA

TK-C9200E

(24VAC/12VDC)

TK-C9201EG

(220-240VAC)



SuperLoLux™

COLOUR IN VIRTUAL ZERO LUX



580 TV Lines
Easy Day/Night

Lens not included



■ High-Resolution of 580 TV Lines

Newly developed 14 bit DSP enables industry-leading high quality pictures

■ Super LoLux™ Sensitivity

0.05 lx at colour mode (50% video level, F1.2, AGC HIGH)
0.03 lx at B&W mode (50% video level, F1.2, AGC HIGH)

■ Industry-leading S/N Ratio of 52dB

■ 3D Noise Reduction

Powerful system to reduce noise in dark environments

■ Up to 128x of Slow Shutter

Increases visibility even in low light situations

■ Area White Balance

New function that can apply Auto White Balance to a specific area

■ Black Level Adjustment

Intelligent adjustment for dark areas to provide images without black out

■ Easy Installation with Well-Conceived Menu

Combination of DIP switch and built-in Menu makes detailed settings simple and easy

■ Variety of Functions for Precise Monitoring

- Automatic Gain Control (AGC)
- Automatic Electronic Shutter (AES)
- 4 Area Patterns for Backlight Compensation (BLC)
- Manual and Auto Tracking White Balance
- 1.4x/2.0x Digital Zoom
- Privacy Mask for protecting against intrusive monitoring
- Display Mode Selection for CRT and LCD
- CCD White Spot Compensation
- Focus Adjustment Mode for accurate focusing
- 24VAC/12VDC Dual Voltage (TK-C9200E) or 220-240VAC (TK-C9201EG) selectable

■ Eco-Friendly Super Low Power Consumption

Approx. 40% lower than conventional models



Full-Fledged Surveillance Camera with High-Resolution Images and Clear Colours in Any Situation

Super LoLux™ "COLOUR IN VIRTUAL ZERO LUX"

This camera has been designed to assure precise colour reproduction in low light situations. It is possible to identify image colours in much darker places.

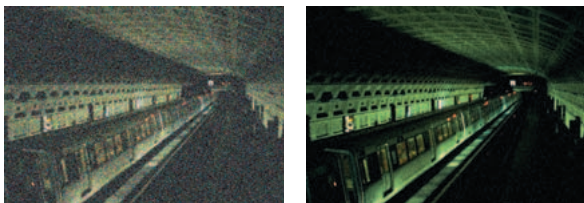


Normal camera

JVC Super LoLux™

3D Noise Reduction (3DNR)

3DNR is the powerful method to improve image quality even though it's shot in the dark. Noise data is detected by comparing some continuous frames and reduced by blending it into other frames over time.

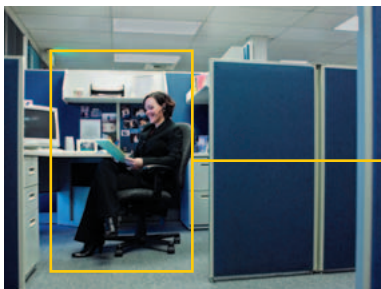


Normal

3DNR

Area White Balance

Auto White Balance can be applied to a designated area. With this, colour casting can be prevented by setting the white balance within an area while avoiding strong colour zones.



Avoid the area with strong blue when setting the white balance.

Focus Adjustment Mode

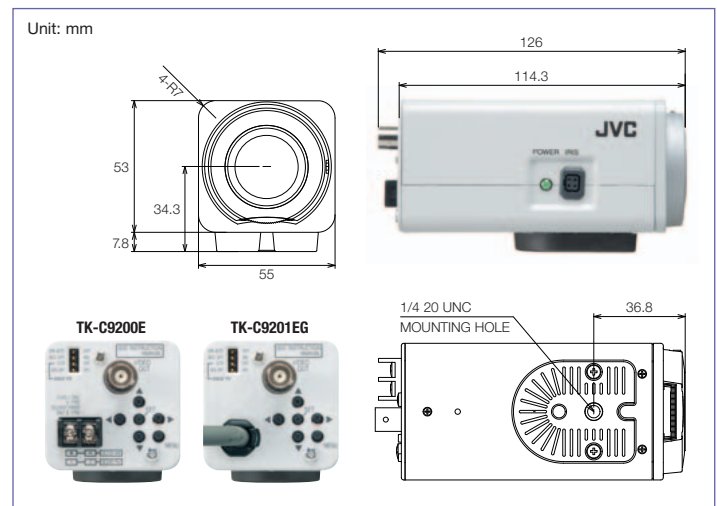
Focus Adjustment mode opens the iris fully for 30 seconds to make it easier to adjust focus by temporarily reducing the depth of field.

Specifications

TK-C9200E/TK-C9201EG

Signal system	PAL
Image device	1/3 type IT CCD
Number of effective pixels	440,000 (752H x 582V)
Sync system	Internal
Scanning system	2:1 interlace, 625 lines
Scanning frequency	15.625kHz (H), 50Hz (V)
Video output	Composite video signal: 1.0V (p-p), 75 ohms (BNC)
Video S/N ratio	52 dB (AGC off)
Horizontal resolution	580 TV lines
Minimum illumination (typical)	0.05 lx (50%, F1.2, AGC HIGH) 0.025 lx (25%, F1.2, AGC HIGH)
B&W mode	0.03 lx (50%, F1.2, AGC HIGH) 0.015 lx (25%, F1.2, AGC HIGH)
Iris control	DC iris
White balance	ATW (wide/narrow) / AWC / Manual (ATW colour temp. range 2300K to 10,000K)
Day/Night	Easy D/N
3DNR	NORMAL / HIGH
Display mode (Monitor type)	LCD1/LCD2/CRT
BLC	off/on (4 patterns)
AGC	OFF/MID/HIGH
AES	off/on (1/50s to 1/100,000s)
Sens-up	off / x2 to x128
Digital zoom	x1, x1.4, x2
Privacy mask	4 areas
Focus adjustment mode	Yes
Lens mount	CS
Power supply	TK-C9200E: 24VAC (50Hz/60Hz) / 12VDC TK-C9201EG: 220-240VAC (50Hz/60Hz)
Power consumption	TK-C9200: 190 mA TK-C9201: 35 mA
Operating temperature range	-10°C to 50°C (0°C to 40°C recommended)
Dimensions (WxHxD)	55mm x 61mm x 126mm
Weight (approx.)	TK-C9200E: 270g TK-C9201EG: 470g

Dimensions



Note: Screen images are explanatory purpose and not actual images attained using this product. All brand or product names may be trademarks and/or registered trademarks of their respective owners. Copyright © 2009, Victor Company of Japan, Limited. All Rights Reserved.



DISTRIBUTED BY

Design and specifications subject to change without notice.



Hachioji Business Centre of Victor Company of Japan, Ltd. has received ISO14001 Certification for environmental management and ISO9001 Certification for quality assurance management.

Printed in Japan

KCN-1854B TK-C9200E/C9201EG 2009/9

"JVC" is the trademark or registered trademark of Victor Company of Japan, Limited.